

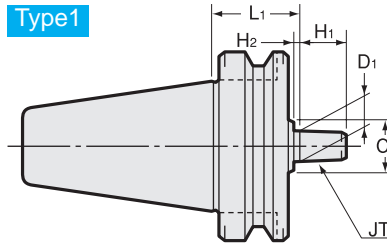
JTA

Jacobs Taper Arbor

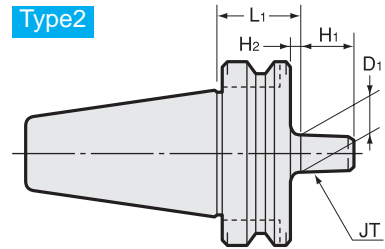
- Arbor for Jacobs taper keyless chuck.



Type1



Type2



Metric Sizes

Unit : Metric

Code	Model	Type	JT	L1	D1	C1	H1	H2	kg
0750 00101030	BT30 -JTA1 -30	1	1	30	9.754	30	15	3	0.5
0750 00122030	BT30 -JTA2S -30	1	2short	30	13.940	30	18	3	0.5
0750 00102030	BT30 -JTA2 -30	1	2	30	14.199	30	20	4	0.5
0750 00133030	BT30 -JTA33 -30	1	33	30	15.850	30	24	4	0.5
0750 00106030	BT30 -JTA6 -30	1	6	30	17.170	30	24	4	0.5
0750 00103030	BT30 -JTA3 -30	1	3	30	20.599	35	28	5	0.5
0750 00301045	BT40 -JTA1 -45	1	1	45	9.754	30	15	3	1.1
0750 00301090	-90	1	1	90	9.754	30	15	3	1.4
0750 00322045	BT40 -JTA2S -45	1	2short	45	13.940	30	18	3	1.1
0750 00322090	-90	1	2short	90	13.940	30	18	3	1.4
0750 00302045	BT40 -JTA2 -45	1	2	45	14.199	30	20	4	1.1
0750 00302090	-90	1	2	90	14.199	30	20	4	1.4
0750 00333045	BT40 -JTA33 -45	1	33	45	15.850	30	24	4	1.1
0750 00333090	-90	1	33	90	15.850	30	24	4	1.4
0750 00306045	BT40 -JTA6 -45	1	6	45	17.170	30	24	4	1.2
0750 00306090	-90	1	6	90	17.170	30	24	4	1.4
0750 00303045	BT40 -JTA3 -45	1	3	45	20.599	35	28	5	1.2
0750 00303090	-90	1	3	90	20.599	35	28	5	1.5
0750 00501045	BT50 -JTA1 -45	1	1	45	9.754	30	15	3	3.7
0750 00501105	-105	1	1	105	9.754	30	15	3	4.1
0750 00522045	BT50 -JTA2S -45	1	2short	45	13.940	30	18	3	4.0
0750 00522105	-105	1	2short	105	13.940	30	18	3	4.1
0750 00502045	BT50 -JTA2 -45	1	2	45	14.199	30	20	4	4.0
0750 00502105	-105	1	2	105	14.199	30	20	4	4.4
0750 00533045	BT50 -JTA33 -45	1	33	45	15.850	30	24	4	3.8
0750 00533105	-105	1	33	105	15.850	30	24	4	4.4
0750 00506045	BT50 -JTA6 -45	1	6	45	17.170	30	24	4	4.0
0750 00506105	-105	1	6	105	17.170	30	24	4	4.4
0750 00503045	BT50 -JTA3 -45	2	3	45	20.599	—	28	7	4.0
0750 00503105	-105	1	3	105	20.599	35	28	5	4.6

Ordering Example

BT30 - JTA1 - 30

Shank size

JT1

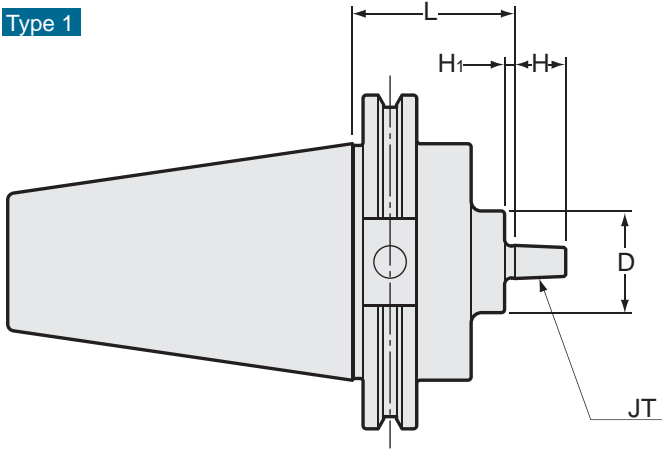
Projection
length (L)

JTA

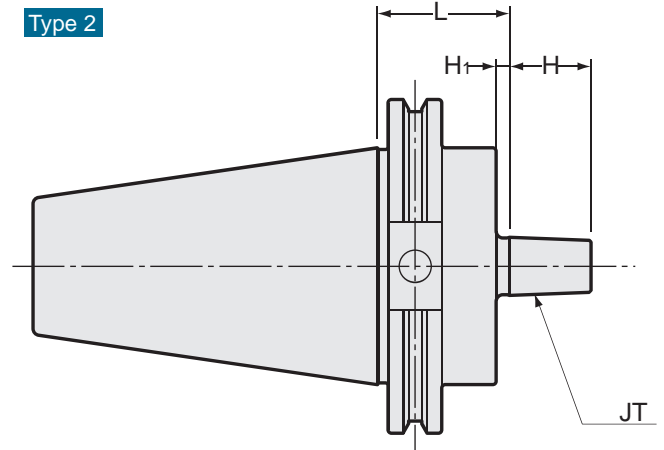
Jacobs Taper Arbor

- Arbor for Jacobs taper keyless chuck.

Type 1



Type 2



Unit : Inch

Code	Model	Type	JT	L	D	H	H1
1920 00402045	CAT40 -JTA 2 -45	1	2	1.772	1.181	0.787	0.157
1920 00433045	CAT40 -JTA33 -45	1	33	1.772	1.181	0.945	0.157
1920 00406045	CAT40 -JTA 6 -45	1	6	1.772	1.181	0.945	0.157
1920 00403045	CAT40 -JTA 3 -45	1	3	1.772	1.378	1.102	0.197
1920 00502045	CAT50 -JTA 2 -45	1	2	1.772	1.181	0.787	0.157
1920 00533045	CAT50 -JTA33 -45	1	33	1.772	1.181	0.945	0.157
1920 00506045	CAT50 -JTA 6 -45	1	6	1.772	1.181	0.945	0.157
1920 00503045	CAT50 -JTA 3 -45	2	3	1.772	—	1.102	0.276

Ordering Example

CAT40 - JTA2 - 45

Shank size

JT

Projection length (L)

- BT
- CAT
- AHO
- HSK-A/E/F/C
- HSK-T
- UTS
- Specialized Machine
- Related Equipment
- Bush & Chamfering Drill
- Milling Chuck
- Collet Holder
- "R" Zero Holder
- Hydraulic Chuck
- Shrink Fit
- Tapping Chuck
- Arbors
- Function Holder
- Retention Stud
- Tool Shank Dimensions