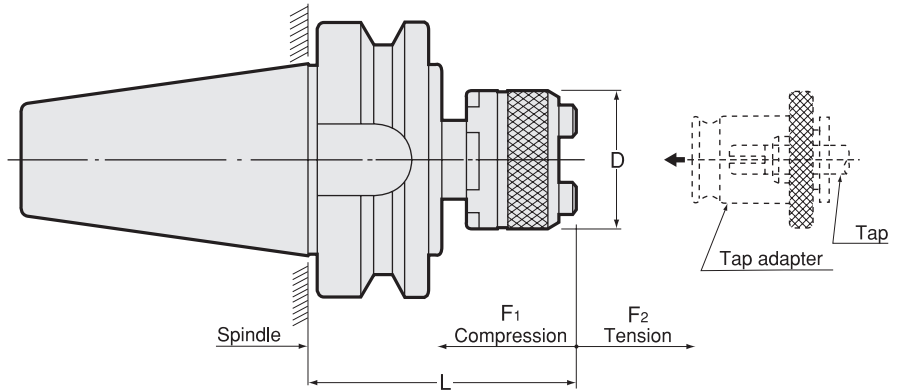


TP1

Quick Change Tapping Chuck

- Strong compression allows use with rolled thread tap.



For Inch size tap, please refer to P.463.

Metric Sizes								Unit : Metric		
Code	Model	Tap Size	Adapter size	L	D	Axial compensation		kg		
						F1	F2			
2250 30010057	BT30 -TP1 -1 -57	M3 ~ M12,U1/4 ~ U7/16, PIPE (PT,PS,PF) 1/8	1	57	32	6	18	0.5		
2250 30020095	BT30 -TP1 -2 -95	M8 ~ M22,U3/8 ~ U7/8, PIPE (PT,PS,PF) 1/8 ~ 3/8	2	95	50	10	15	0.8		
2250 40010062	BT40 -TP1 -1 -62	M3 ~ M12,U1/4 ~ U7/16, PIPE (PT,PS,PF) 1/8	1	62	32	6	18	1.1		
2250 40020093	BT40 -TP1 -2 -93	M8 ~ M22,U3/8 ~ U7/8, PIPE (PT,PS,PF) 1/8 ~ 3/8	2	93.5	50	15	20	1.5		
2250 40030164	BT40 -TP1 -3 -164	M16 ~ M38,U3/4 ~ 1-3/8, PIPE (PT,PS,PF) 3/8 ~ 1-1/8	3	164	72	20	20	2.6		
2250 50010071	BT50 -TP1 -1 -71	M3 ~ M12,U1/4 ~ U7/16, PIPE (PT,PS,PF) 1/8	1	71	32	6	18	3.7		
2250 50020102	BT50 -TP1 -2 -102	M8 ~ M22,U3/8 ~ U7/8, PIPE (PT,PS,PF) 1/8 ~ 3/8	2	104.5	50	15	20	4.0		
2250 50030142	BT50 -TP1 -3 -142	M16 ~ M38,U3/4 ~ 1-3/8, PIPE (PT,PS,PF) 3/8 ~ 1-1/8	3	142	72	20	20	5.0		
2250 50040165	BT50 -TP1 -4 -165	M22 ~ M48,U7/8 ~ 1-3/4, PIPE (PT,PS,PF) 3/4 ~ 1-1/2	4	165	95	22.5	22.5	6.1		

1. To prevent tap breakage, use tap adapter with safety torque device.
2. Tap adapter is sold separately.

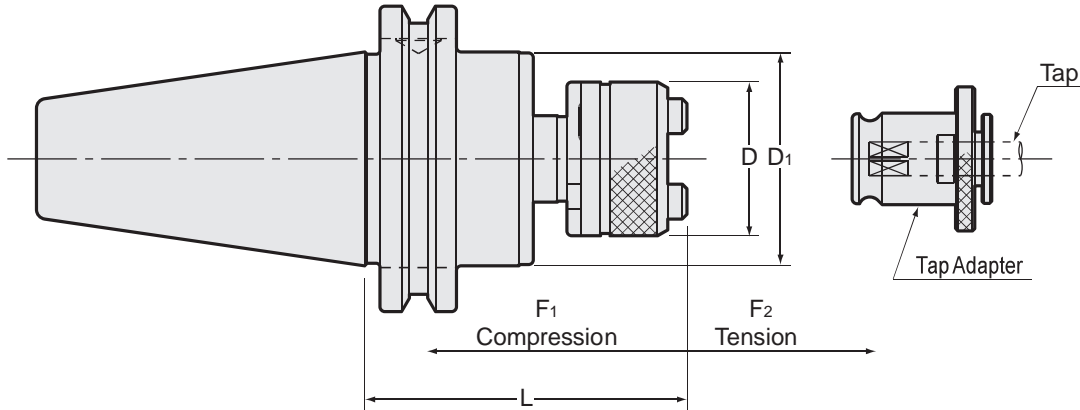
Tap adapter
P. 458

Ordering Example
BT50 - TP1-2 - 102
Shank size Adapter size Projection length(L)

TP1

Quick Change Tapping Chuck

- Strong compression allows use with rolled thread tap.



For capable tap sizes, please refer to P.463-P.464 chart.

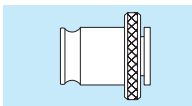
Unit : Inch

Code	Model	Tap Size	Adapter Size	D	D1	L	Axial compensation		kg
							F1	F2	
2030 00401062	CAT40 -TP1 -1 -62	#0-12, 1/4-1/2 M3-M12	1	1.260	1.750	2.441	0.236	0.709	1.0
2030 00402093	CAT40 -TP1 -2 -93	5/16-7/8 M8-M22	2	1.969	1.795	3.661	0.591	0.787	1.4
2030 00403179	CAT40 -TP1 -3 -179	13/16-1-3/8 M16-M38	3	2.835	2.441	7.047	0.787	0.787	
2030 00501071	CAT50 -TP1 -1 -71	#0-12, 1/4-1/2 M3-M12	1	1.260	2.750	2.795	0.236	0.709	3.2
2030 00502102	CAT50 -TP1 -2 -102	5/16-7/8 M8-M22	2	1.969	2.750	4.015	0.591	0.787	3.7
2030 00503142	CAT50 -TP1 -3 -142	13/16-1-3/8 M16-M38	3	2.835	2.750	5.708	0.787	0.787	4.5
2030 00504165	CAT50 -TP1 -4 -165	7/8-1-3/4 M22-M48	4	3.740	3.268	6.496	0.886	0.886	6.3

1. To prevent tap breakage, use tap adapter with safety torque device.
2. Tap adapter is sold separately.

Tap adapter

P.458



Ordering Example

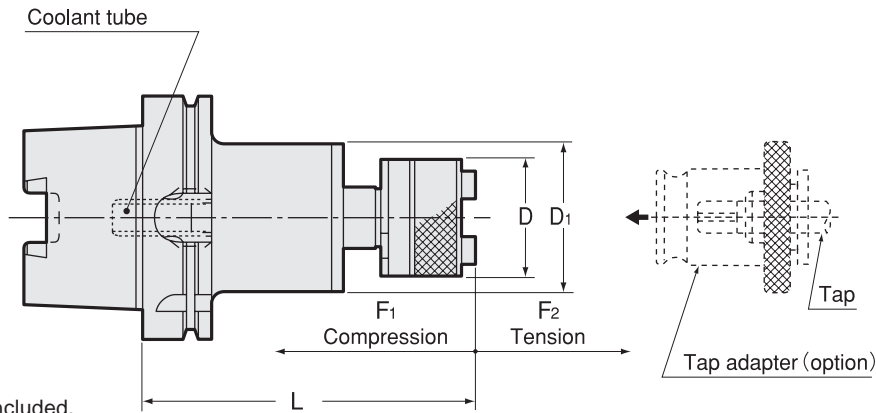
CAT50 - TP1-2 - 93

Shank size Adapter size Projection length(L)

TP1

Quick Change Tapping Chuck

- Strong compression allows use with rolled thread tap.



- Coolant tube is included.

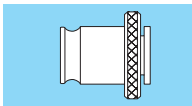
For capable tap sizes, please refer to P. 463 chart.

Metric Sizes										Unit : Metric
Code	Model	Tap Size	Adapter size	L	D	D1	Axial compensation		kg	
							F1	F2		
5460 13001113	HSK40A -TP1 -1 -113	M3 ~ M12,U1/4 ~ U7/16, PIPE (PT,PS,PF) 1/8	1	113	32	44	6	18	0.9	
5460 14001113	HSK50A -TP1 -1 -113	M3 ~ M12,U1/4 ~ U7/16, PIPE (PT,PS,PF) 1/8	1	113	32	44	6	18		
5460 14002139	-2 -139	M8 ~ M22,U3/8 ~ U7/8, PIPE (PT,PS,PF) 1/8 ~ 3/8	2	139	50	46	10	15		
5460 15001113	HSK63A -TP1 -1 -113	M3 ~ M12,U1/4 ~ U7/16, PIPE (PT,PS,PF) 1/8	1	113	32	44	6	18	1.4	
5460 15002139	-2 -139	M8 ~ M22,U3/8 ~ U7/8, PIPE (PT,PS,PF) 1/8 ~ 3/8	2	139	50	46	10	15	1.8	
5460 17001113	HSK100A -TP1 -1 -113	M3 ~ M12,U1/4 ~ U7/16, PIPE (PT,PS,PF) 1/8	1	113	32	44	6	18	2.7	
5460 17002139	-2 -139	M8 ~ M22,U3/8 ~ U7/8, PIPE (PT,PS,PF) 1/8 ~ 3/8	2	139	50	46	10	15	3.1	
5460 17003211	-3 -211	M16 ~ M38,U3/4 ~ 1-3/8, PIPE (PT,PS,PF) 3/8 ~ 1-1/8	3	211	72	62	20	20	5.2	

- 1.To prevent tap breakage, use tap adapter with safety torque device.
- 2.Tap adapter is sold separately.

Tap adapter

P. 458



Ordering Example

HSK40A - TP1-2 - 139

Shank size

Adapter size

Projection length(L)